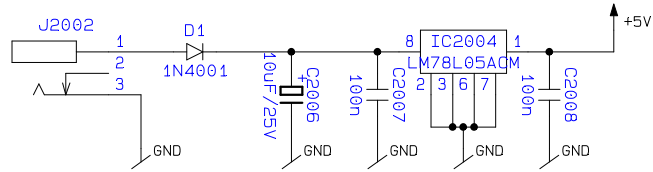
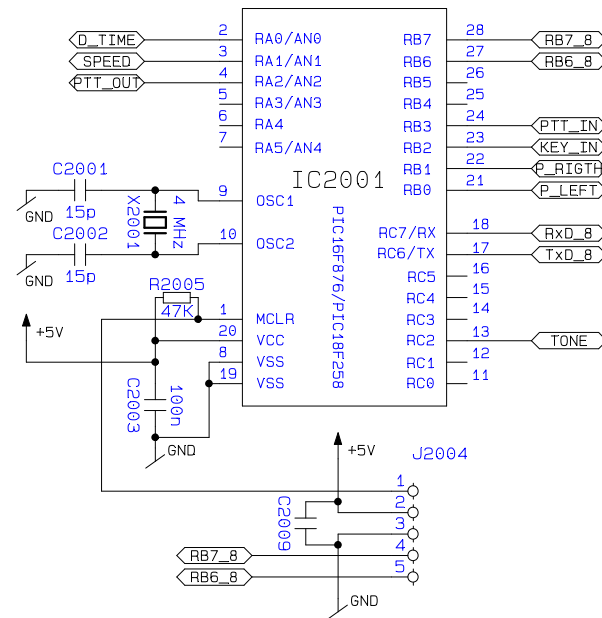


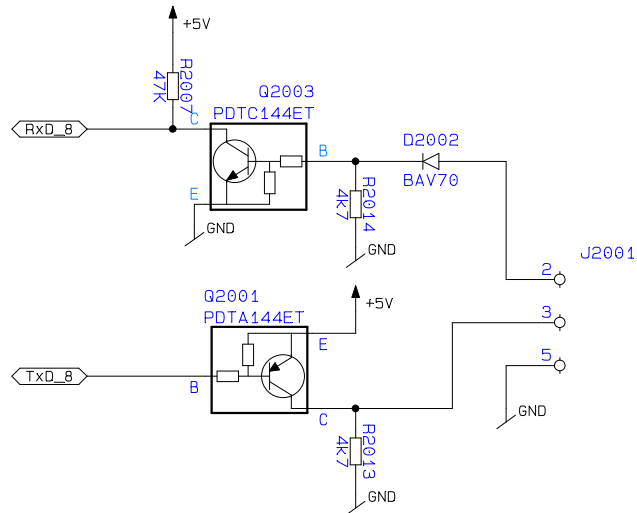
12 to 5 V



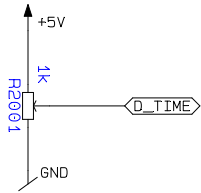
CPU with programming port



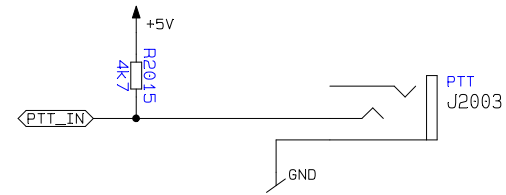
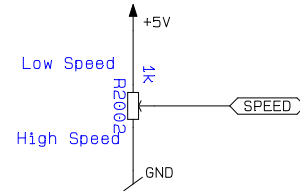
RS232 Interface



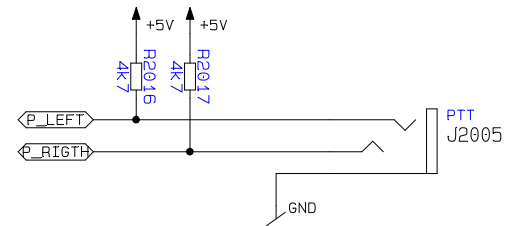
Key Delay



Key Speed

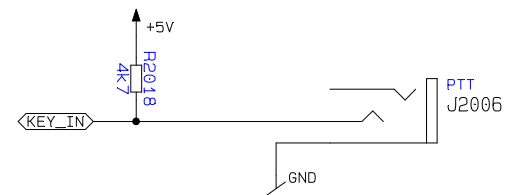
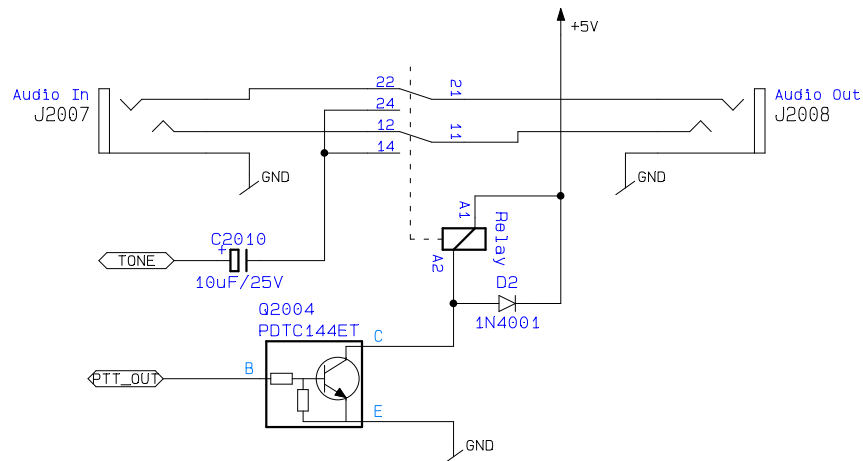


PTT input



Paddle input

Audio Tone Connection (example)



Key input

Component list for Remote CW

Name	Type	Value
C2001	15p	0805
C2002	15p	0805
C2003	100n	0805
C2006	10uF/25V	6032 (C), (ELFA 88-008-28)
C2007	100n	0805
C2008	100n	0805
C2009	100n	0805 (optional)
C2010	10uF/25V	
D1	1N4001	
D2	1N4001	
D2002	BAV70	SOT23
IC2001	PIC16F876/PIC18F258	S028
IC2004	LM78L05ACM	S08, (ELFA 73-302-10)
J2001	D-SUB 9-pol (male)	
J2002	DC plugg	
J2003	PTT	
J2004	5-pol stiftlist	cc=2.54mm
J2005	PTT	
J2006	PTT	
J2007	Audio In	
J2008	Audio Out	
Q2001	PDTA144ET	SOT23, (ELFA 71-303-96)
Q2003	PDTC144ET	SOT23, (ELFA 71-303-88)
Q2004	PDTC144ET	SOT23, (ELFA 71-303-88)
R2001	1k	
R2002	1k	
R2005	47K	0805
R2007	47K	0805
R2013	4k7	0805
R2014	4k7	0805
R2015	4k7	0805
R2016	4k7	0805
R2017	4k7	0805
R2018	4k7	0805
Relay		
X2001	4 MHz	HC49/4H, (ELFA 74-520-22)

SM0LCB Design	2007-03-27	LCB070314_3	1.0
	Remote CW		3