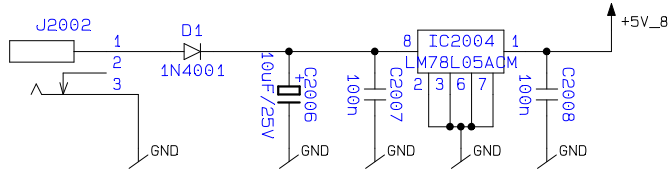
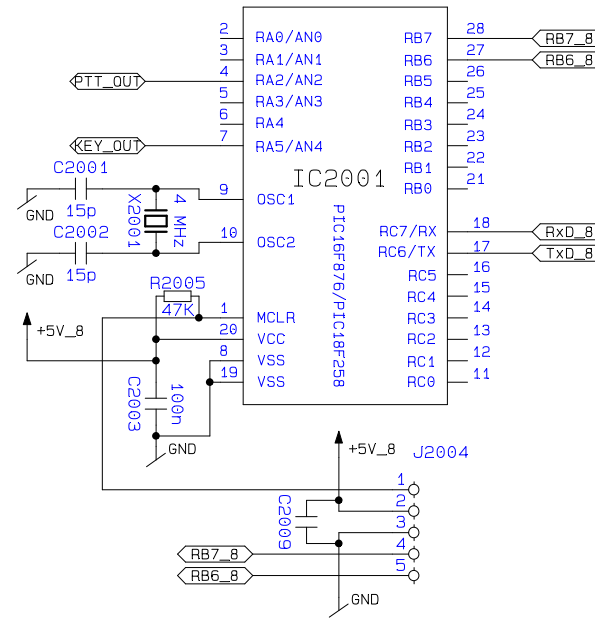


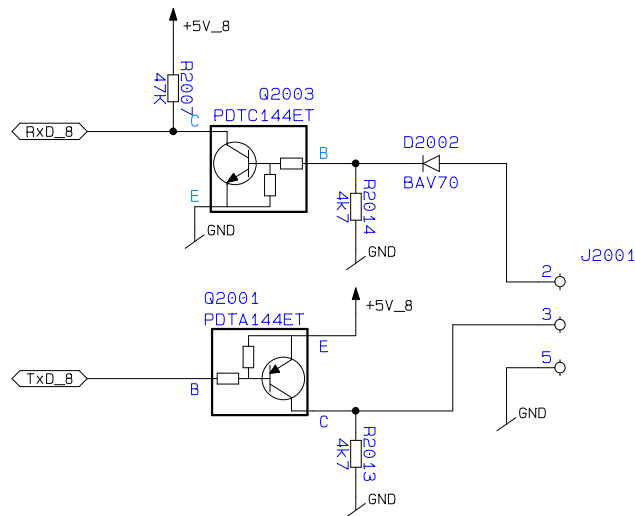
12 to 5 V



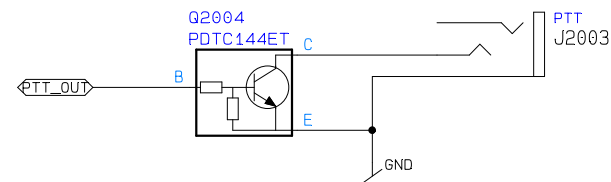
CPU with programming port



RS232 Interface



PTT output



CW output

