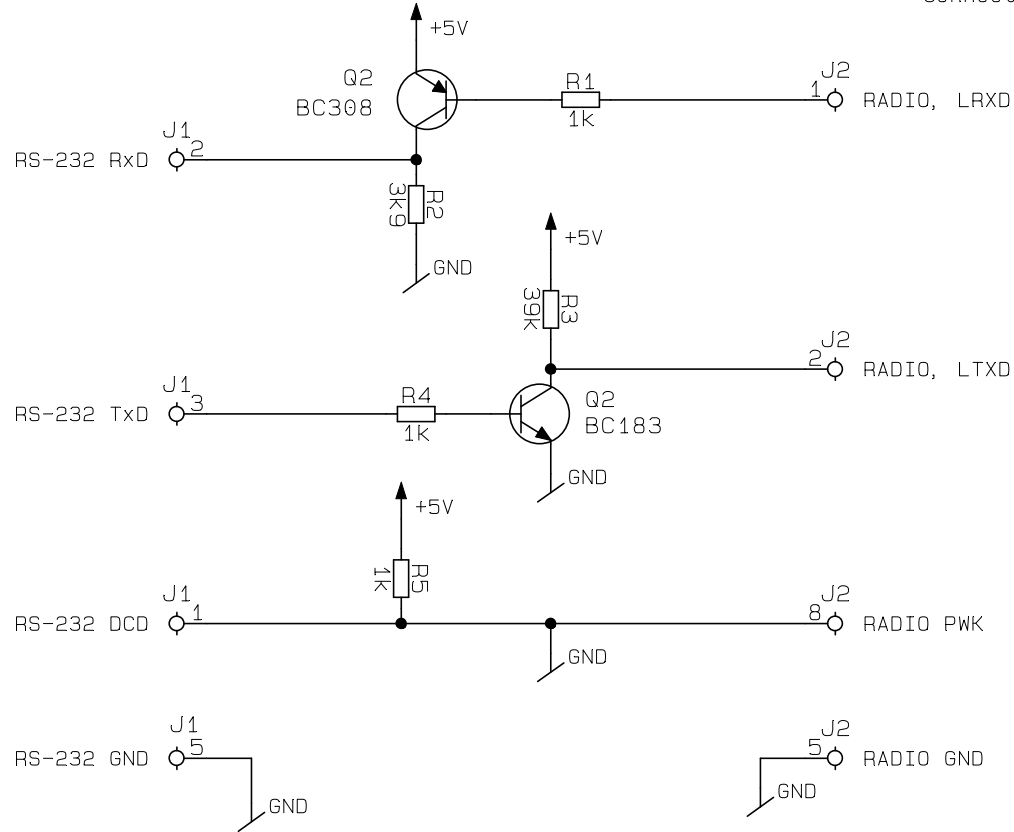


Connection to local computer serial port.

Connection to the ICOM IC-706 FRONT PANEL.



Connection to local power supply (12VDC).

